



Sägen

Hobeln

Fräsen

MARTIN

T65 Sliding-Table Saw



The MARTIN sliding-table saws provide cutting-edge performance for the long-term!

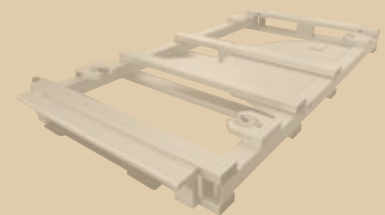
Apart from maximum precision and long life, MARTIN offers major components that can be updated as time marches on.

MARTIN



The T65
MARTIN's interpretation of the premium entry level-class saw
Page 4

The T65
Technology in detail
Page 6



Accessories
Individual solutions for your individual needs
Page 10

The T65: MARTIN's interpretation of the premium entry level-class saw.

The T65 combines traditional operating methods with the most modern electronic support from a controller with keypad. This innovative control structure speeds up work and leads to a more intuitive understanding of the machine's function by the operator. With the brand new 3,5" controller, the operator is guided through individual work processes step by step. Sturdy mechanical design in combination with sophisticated control technology form a well-balanced machine. MARTIN does not only set industry standards when it comes to technology but also when it comes to user-friendliness.

Cutting-edge control technology

The control center of the T65 is a powerful and user friendly controller with keypad. With its 3.5" LCD color screen, this machine sets new industry standards as to ease of use, functionality, safety and comfort. All relevant information is visible at a glance. Step-by-step, the operator is prompted through complex work processes leading to more ease of use and more ac-

curate results. The movement of the blade height and angle are electronically controlled and it is equipped with the standard MARTIN tool conversion, where the machine always knows the saw blade width and diameter. The machine can also be equipped with an optional motorized rip fence integrated into the controller. With a T65 you can work with up to eight optional linked axes which considerably reduces set-up times.

Powerful cut up to 204 mm in height

The massive cutting height of 204 mm and the tilting angle of 0 to 46° provides greater flexibility for complex tasks. With the ProLock-System, the main as well as the scoring saw blades can be replaced quickly and easily. The rotational speed is easily changed via belt/pulley through an opening in the cast iron trunnion behind the main saw blade. With the optional variable speed control the RPM's can be adjusted to a wide variety of different man-made materials. You simply enter the desired rotational speed of the saw blade without having to turn off the machine.



Easy rotational speed change



Operation at a glance



Powerful cut up to 204 mm in height

T65



T65 with accessories

T6509/2	Cutting width 1.100 mm
T6523	Electrically adjustable 3-axis scoring saw unit
T6567	Foldable front support table
T6589	Rip fence adjustment via hand-wheel

Blade changes done quickly and accurately

Simply enter the abbreviation of the saw blade in use. The tool conversion system immediately considers important criteria such as diameter, plate thickness and blade kerf. This way you make sure that your calculations, settings and cuts are always accurate, regardless of what saw blade you use. The scoring saw is fully integrated in the controller's tool menu allowing the settings of the scoring blade to be done quickly, precisely and automatically.

Length compensation made easy

The calculation of the length compensation for angle cuts comes as a standard on even the most basic T65. The optional "RadioCompens" angle cutting system takes things one step further and reduces set-up times by more than 80%. You simply set the radio controlled miter cross-cut table to the desired cutting angle. The radio-controlled electronics take care of the rest. You always get the correctly calculated measurements on both dis-

plays of the digital length stops. You can still demount the cross-cut fence as well as the cross-cut table from the machine without any problem since the communication is radio-controlled.

Safety and comfort

It was very important to our engineers that the saw-blade guard of the T65 provides good functionality. A saw blade that extends up to 204 mm has to be completely covered by a wider guard without interfering with the operator's work process.



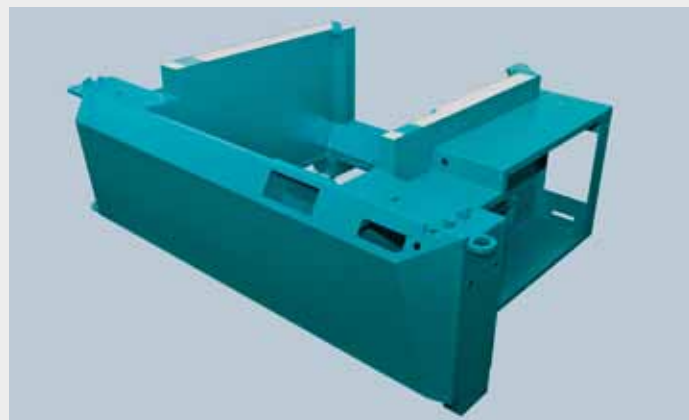
Technology in detail

Solid machine frame [1]

The T65's solid and heavy machine frame that is reinforced with a concrete composite is unique and in the woodworking machinery industry only to be found on MARTIN machines with this technical perfection. Otto Martin invented this method of construction in the 1920s and had it registered as a patent back then. Today, after 90 years of continual improvement, MARTIN still uses this simple and effective type of frame construction. The combination of steel and concrete create a high quality machine frame that is unparalleled when it comes to sturdiness, absorbing capacity and torsion resistance. This design has been proven to have up to six times the vibration dampening properties than that of a traditional cast-iron or welded frame.

Precise cross-cut fence

Experienced woodworkers say that fine adjustment is a very important quality feature on a precise cross-cut fence. It is quite common that the cutting dimension has to be altered just a little; without fine adjustment... no chance! Every T65 is equipped with a magnifying glass, an easy to read scale and standard fine adjustment of the stop elements. Another convincing detail of the cross-cut fence is the smooth and precision guidance of the stop elements. The quality ball bearing construction of the stops allow them to glide easily from one position to the next. The cross-cut fence can be positioned in either the forward or rear position on the cross-cut table. In either position the miter angle can be infinitely adjusted to a scale up to 50°. The exact compensated calculation of the cut is performed by the controller.



[1] T65 steel/concrete composite machine frame

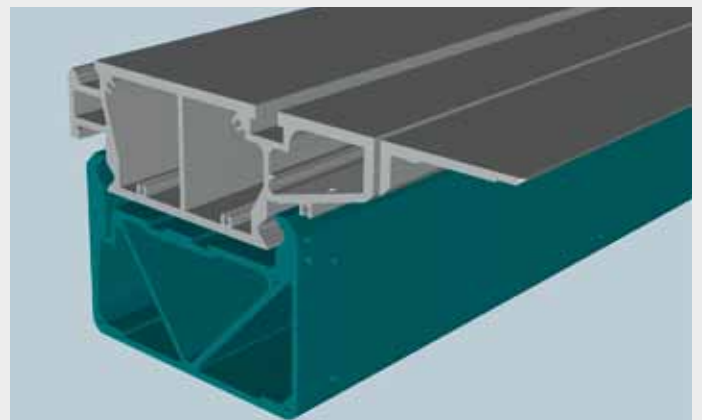
Reliable sliding-table [2]

The MARTIN hardened steel guide system that has been steadily improved since 1959, is the core of every sliding-table saw. The unbeatable technical advantage of this system is the permanent smooth and precision guidance of the table. The hardened steel guide strips are permanently lubricated in oil to make sure that the surfaces are unaffected by dust and chips. The hardened guide strips are cleaned every time the operator strokes the table and is the only way to permanently ensure a smooth and easy movement of any sliding-table over time. Another important quality characteristic is that no plastic parts were used in the construction of this component; a valuable consideration when it comes to cut quality.

Another unique MARTIN standard is the replaceable table lip that is bolted to the main sliding-table extrusion. This makes it easy to repair damage caused by deflected saw blades. The table can also be locked down every 20 mm along the length of the machine. Whether you work with various cutting devices or load the table down with heavy material, the MARTIN sliding-table is always positioned where you need it.

Easy operation

With the T65 you can achieve an impressive cutting height of 204 mm with a 550 mm diameter saw blade. With the ProLock-System, the main as well as the scoring saw blades can be replaced quickly and easily. On a T65 you have three rotational speeds that can be changed via belt/pulley through an opening in the cast iron trunnion behind the main saw blade. With the optional variable speed control, the RPM's can be adjusted within a range of 2000 to 6000 rpm to a wide variety of different man-made materials. You simply enter the desired rotational speed of the saw blade without having to turn off the machine.



[2] Sliding-table with replaceable table lip

Technology in detail

Precise rip fence [3]

The rip fence of the T65 can easily be manually moved and thanks to the standard fine adjustment can be set very precisely. The precision rip fence's wear-free grooved ball-bearing guide system further ensures maximum precision and allows the fence to glide over the table smoothly and without support. If large panels have to be cut, where the machine table must be cleared, the rip fence can be removed from the carriage in no time at all. With the optional hand-wheel, the cutting dimension can be indicated from the operating position over the full cutting width. The digital display (resolution 0.1 mm) integrated in the control ensures maximum precision. You can also offset the workpiece thickness in the controller so that the readout for the rip fence references the top of the workpiece instead of the bottom side, allowing the operator to make precise bevelled cuts. Compound miter cuts to the left side of the blade are reduced to child's play. The optional motorized rip fence quickly (approx. 300 mm per second) and precisely (0.1 mm) handles the entries made in the controller. Additionally, the machine independently recognizes the danger zone around the saw blade and has the rip fence slowly move towards the blade line to increase operator safety.

Scoring saw for all requirements

A scoring saw prevents workpiece tear-out on the edges of decorative veneered and laminated panels. Two scoring units are available for the T65. Both units can be turned on and off and positioned electrically via the operator control panel while the lifting and lowering is done pneumatically. The 2-axis system automatically adjusts left/right in relation to the right shoulder of the main saw blade in use; the scoring height has to be entered in the controller. Adjustment is always made automatically to every main saw blade stored in the tool menu. The kerf width is adjusted with stacked shims. The saw blades as well as the flange can be removed quickly and

easily and saw blades of up to 550 mm in diameter can be used. With the ScribeMaster saw blade system the kerf width can be adjusted with an allen key in a matter of seconds. Set-up times can be reduced by 10 to 15 minutes with this system as the time-consuming de-mounting of the two-part scoring blades and the flanges can be avoided. The scoring width is infinitely variable within a range of 2.8 to 3.6 mm in relation to the cutting width of the main saw blade without removing the whole unit. With the patented MARTIN 3-axis scoring saw system, you can adjust the blade including the scoring blade kerf width while the machine is running. The fully integrated scoring saw is linked to the controller's tool menu, allowing the automatic positioning of the scoring saw width to match every main saw blade that has previously been entered in the controller. The system needs to be calibrated only once. Time-consuming sample cuts are avoided almost completely. The scoring width is infinitely variable within a range 2.8 to 4.8 mm. Thanks to the unique MARTIN tool-less quick change system the scoring blades can be easily removed. The whole blade unit can be removed within seconds and saw blades of up to 550 mm in diameter can be used.

Miter cross-cut table [4]

Otto Martin invented the miter cross-cut table more than 50 years ago to enable operators to make precise angle cuts on larger panels. Since then this popular accessory has been steadily improved and optimized. In 1958 a scale was sufficient to set miter cuts. Today a modern digital angle display is integrated in the table. The table can be adjusted to any angle up to 47° with a resolution of 0.01°. A rigid central lock ensures exact repeatability when restoring the table to 0°. It is not without good reason that more than three quarters of all the customers that buy MARTIN sliding-table saws opt for the sturdiness, functionality and precision of this convincing invention.



[3] T65 rip fence



[4] T6535 Miter cross cut table

Technology in detail

Modern control system technology [5]

With its completely new controller technology, the T65 offers you a innovative operating concept that is unique for a premium compact-class machine. The T65 combines traditional operating methods with the most modern electronic support from the controller. The operator is guided through complex work processes easily, quickly and accurately. All relevant information is visible at a glance. The controller even supports you when you have to calculate and perform tasks that you are not familiar with. This way time consuming set-up times can be omitted also on a premium entry-level class machine and results are more accurate. The user interface was developed in close cooperation with MARTIN technicians and users and is based on what woodworkers really need. The result is a control panel that is divided into a menu section, a navigation area and an input area; all from a 3.5" (89 mm) colour screen with a QVGA resolution as simple display.

Easy to operate

The direct access key offers the operator quick and direct access to individual sections of the menu. A LED clearly shows the part of the main menu that is activated at the moment. This way you always keep track and control over your work processes and you save time as well. At the center of the machine operation is the "HOME" page that you select quickly and easily over the corresponding menu key. The menu offers you a quick overview on the important settings like cutting height and angle and is the basis for adjustment of the machine. If you want to input a new cutting angle with the support of the controller, you activate the input field for the angle over the

"HOME" menu with the navigation key and simply input the angle value in the input field and confirm. The machine then positions itself to the desired angle.

Tool menu [6]

For the precision calculation of your cuts and quick tool change you can store up to 50 different saw blades in the tool menu. A saw blade that has been stored once is immediately available and fully integrated in the controller. This way the 3-axis scoring unit automatically adjusts to the kerf of the main saw blade. Time consuming test cuts can be omitted almost completely and you can concentrate on the task at hand.

Support from the office [7]

The user oriented performance of the controller becomes evident when you take a look at the cutting menu. The T65 controller has a memory function were up to 10 cutting lists with 50 different cuts each can be stored or worked with. It is a big advantage since cutting lists for even the non-motorized or controlled axes can be compiled on an office computer and then downloaded to the saw with a USB stick. This leads to more efficiency and more accurate results. With the exchange of data listed on a simple spreadsheet, you can take things to the next level and organize your own cut optimization.



[5] The controller



[6] The tool menu

Technology in detail

Powerful assistance [8]

For performing special work on a sliding-table saw like cutting grooves, rabbets and tongue-and-groove joints, the MARTIN controller offers an efficient assistant. Step by step the operator enters all the necessary parameters and is guided through the work process by the controller. This way even untrained machine operators soon become experts.

The controller helps the operator in the calculation and cutting of complex bevelled and miter cuts performed on the crosscut table. It allows you to obtain exact cuts on workpieces where the only known length dimension is on the other side of the fence. With these intuitive calculation tools, even complex calculations can be made right the first time. You simply enter the measurements of the workpiece in the controller and it calculates the correct values for you.

Always up-to-date

A MARTIN machine is a safe and long-term investment since its controller can be updated as time marches on. We at MARTIN are continuously improving our software. The controllers can be upgraded in field with a USB stick. This way you always have access to new cutting aids or updates of existing applications.

Customization of the controller

Customization of the controller is possible for over 25 languages using Latin/Cyrillic character sets. You preselect the language and the machine tells you if the emergency stop button was pressed or if the chip tray has been opened.



[7] The cutting list



[8] The angular cutting aid

Accessories



T65 standard cross-cut table

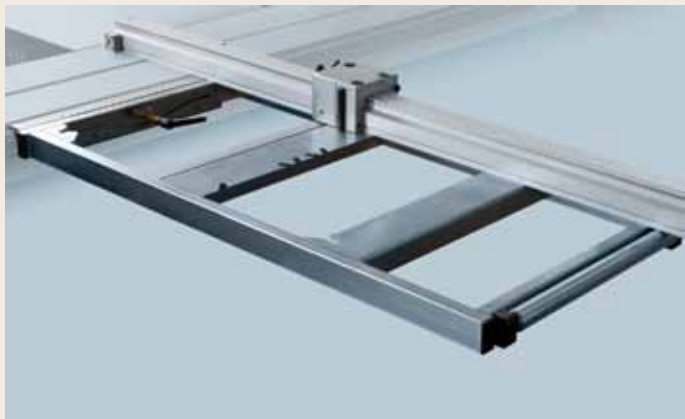
Standard cross-cut table with cross-cut fence

The light and sturdy MARTIN cross-cut table (1400 x 700 mm) is a standard component of all T65 saws. It can be easily clamped with one hand to any point along the whole length of the sliding-table. The outboard table support roller simplifies the moving of larger workpieces and prevents damage to delicate panel surfaces. The cross-cut fence can be positioned in either the forward or rear position on the cross-cut table, enabling the stops to be positioned quickly for the task at hand. The large angle scale



Fine adjustment and magnifying glass on the standard cross-cut fence

integrated in the table allows exact angled cuts to be made between 0° and 50° by a simple adjustment of the cross-cut fence. The fixed angle detents integrated into the table facilitate the rapid cutting of common angles (0°/22.5°/30°/45°). The exact compensated calculation of the miter cut is performed by the controller. By entering the workpiece width and angle and the desired length into the controller, the operator is prompted to make the adjustment to the stop.



T6540 analog 2-point cross-cut fence

Analog and digital 2-point cross-cut fence

All T65 machines are equipped with a cross-cut fence with continuous support; the stop element is equipped with a micro adjustment and magnifying glass. The machine can also be equipped with the MARTIN 2-point cross-cut fence, where the workpiece can be aligned at two points. This system is useful, especially if you work a lot with thin, flexible material. The straightened material is aligned seamlessly along the fence making for a precise cut every time. The magnifying glass, an easy to read scale and standard fine adjustment of the two-point stop element ensure accurate cuts from 190 – 2020 mm. The 2-point stop's clamping element design allows the operator



T6542 digital 2-point cross-cut fence

to rapidly make adjustments with little effort. Lengths of up to 3310 mm can be cut using the extendable outboard stop. The miter cross-cut table can only be ordered in combination with the optional T6540 and T6542 cross-cut fences.

If you prefer working with digital readouts, the T6540 digital cross-cut fence may be the right choice for you. Both the inner and outer stop use separate measuring devices and can be set independently with an accuracy of a tenth of a millimeter. Read-outs can be switched to a relative measurement mode, which is especially helpful when making incremental cuts.



T6535 miter cross-cut table

Miter cross-cut table

For more than 50 years now the MARTIN miter cross-cut table has been setting standards in terms of flexibility. With the digital angle display integrated in the table, miter cuts can be set easily and accurately. The table offers full support of the workpiece at every angle. The table and fence move with the MARTIN parallelogram table design; not just the fence. The table is unlocked by actuating a handle under the table allowing it to be adjusted within a range of $\pm 46.50^\circ$ via an LCD display.



T6550 "Radio-Compens" angle cutting system

The innovative MARTIN „Radio-Compens“ angle cutting system in conjunction with the miter cross-cut table and motorized crosscut stop creates a whole new vision of productivity for tomorrow’s woodworkers and cabinet-makers. Set-up times for angled cuts can be reduced by more than 80%. You simply set the miter cross-cut table, which is connected to the controller via a bus line, to the desired cutting angle. The radio-controlled electronics take care of the rest.



T6589 hand-wheel adjustment of the rip fence

Adjustment of the rip fence

The manual rip fence can be adjusted very precisely. With the optional adjustment by hand-wheel you set the fence from the operator position without any electronic controls. With the digital display integrated in the touchscreen controller you can make precise adjustments with the handwheel in increments down to a tenth of a millimeter. The fence is then locked down firmly with the locking handle. Walking around the saw to



T6590 motorized positioning of the rip fence

adjust the rip fence is a thing of the past. You can adjust the rip fence from the operator position comfortably and precisely. An even more efficient possibility to position the fence is to integrate it into the controller. With this accessory your T65 becomes a machine with 3 driven axes. Cutting height, cutting angle and also the cutting width are integrated in the controller.

Accessories



T6538 Counter miter fence

Counter miter fence

The counter miter fence is an ideal addition to the T65's cross-cut fence for cutting acute mitered angles. The device can be mounted easily, allowing the operator to cut any angle between 0° and 45°.



T6572 Edging device

Edging device

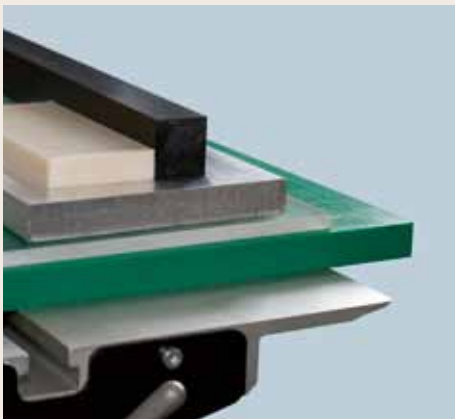
The cutting of overhang on veneered or laminated panels is just one of the many applications for the edging device. Simply attach this device to the rip fence. This device can also be used for straight lining solid stock as a substitute for a laser.



T6567 Front support table

Front support table

Long, narrow workpieces can be cut more efficiently by using a suitable support table. The foldable front support table helps to guide the workpiece safely along the rip fence.



T6580 Spraying device

Spraying device

With the spraying device, even plastic or non-ferrous metals can be cut easily. The spraying heads spray both sides of the saw blade with a coolant or lubricant. The lubricant container and the pneumatic unit are mounted in an easily accessible area for the operator.



T6568 second support with T6555 parallel cutting stop

Second support and parallel cutting stop

The second support assists the operator in the truest sense of the word. Simply attach it to the sliding-table for easy handling of large panels. The workpieces are safely supported by the 600 mm long support and can be indexed against the optional parallel cutting stop, when ripping long material with the sliding-table.



T6577 ON/OFF switch on the sliding-table

ON/OFF switch for main and scoring saw blade

Having the ability to be mounted anywhere along the main sliding-table extrusion, this switch makes turning the main as well as the scoring saw on and off. This is especially helpful when the operator is working alone or has to handle large panels by himself.



T6523 electrically adjustable 3-axis scoring saw

Electrically adjustable 2-axis and 3-axis scoring saw

The 2-axis system is completely user-friendly. Full integration into the controller facilitates the input of all necessary settings. The left/right positioning of the scoring saw in relation to the right shoulder of the main blade and the scoring height is adjusted automatically. The kerf width is adjusted with stacked shims. If you combine the 2-axis scoring saw with the T6522 ScribeMaster saw blade system, the kerf width can be adjusted in a matter of seconds. With inserted scoring saw blades you can use main saw blades of up to 400 mm in diameter. If you remove the scoring saw blades and the flange you can easily work with saw blades of up to 550 mm in diameter. The patent pending MARTIN 3-axis scoring saw system is fully integrated in



Fully integrated in the controller

the controller and facilitates the input of all necessary settings. The fully integrated scoring saw is linked to the controller's tool menu, allowing the automatic positioning of the scoring saw width to match every main saw blade that has previously been entered into the controller. The system needs to be calibrated only once. Time-consuming sample cuts are avoided almost completely. Thanks to a quick clamping system the scoring unit of the 3-axis scoring saw can be completely removed or changed within seconds, especially if you want to use saw blades of over 400 mm in diameter. Time-consuming procedures are avoided almost completely.



T6571 motorized sliding-table

Motorized sliding-table

The motorized sliding-table offers the woodworker precision cuts through its even feed motion. The controlled feeding of the workpiece also provides the optimum mix of feed rate and cut quality. Man-made materials such as plastics or non-ferrous metal sheets can be safely cut with the motorized sliding-table. The T6570 pneumatic pressure bar is an ideal addition to the motorized sliding-table system.



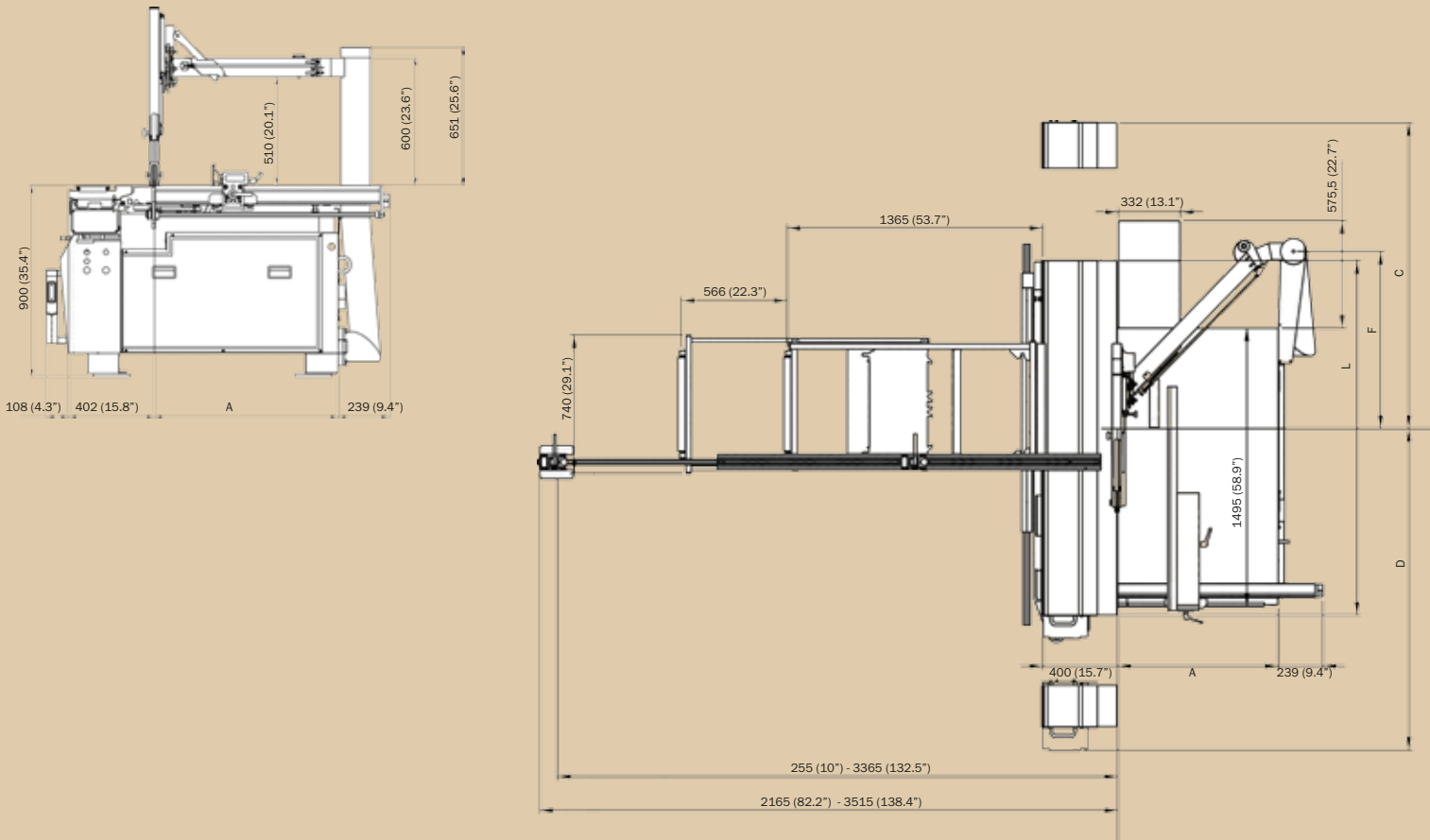
T6565 Roller support for standard cross table

T6565 roller support for standard cross

To make use of the full movement range of a sliding-table of over 3.7 m or to handle very heavy material, MARTIN recommends using the roller support. It runs on a floor mounted track with integrated wipers to keep the track clear.

Technical specifications

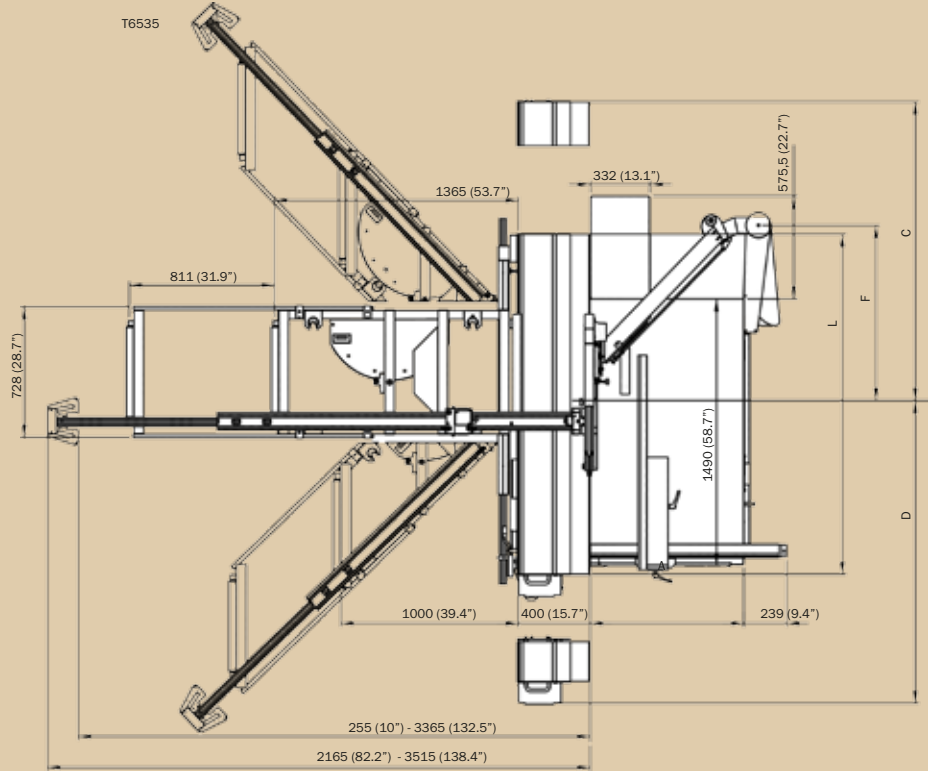
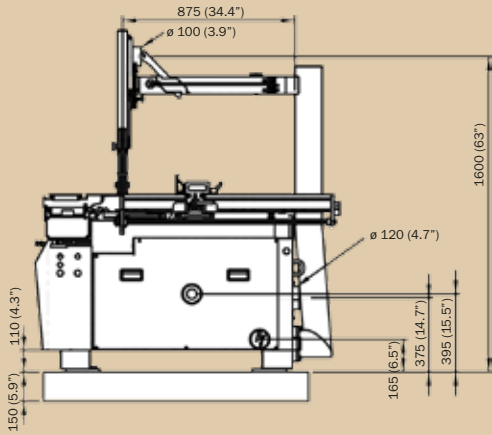
The T65



Technical specifications

Motor power	5,5 kW (7.5 HP)
Optional	7,5 / 11 kW (11 / 15 HP)
Cutting height	max. 204 mm (8") / saw blade Ø 550 mm (21.6") / 0°
Saw-blade tilting	0° to 46°
Saw-blade diameter	250 - 550 mm (10" - 21.6")
Rotational speed	2.800 / 4.000 / 5.000 rpm
Optional	Infinitely variable from 2000 to 6000 rpm
Main saw blade change	ProLock
Blade thickness	max. 6 mm (0.24") / special tools max. 20 mm (0.79") (at 90 deg.)
Cutting width	850 mm (33.5")
Optional	1.100 / 1.350 / 1.600 mm (43.3" / 53.1" / 63")
Cross-cut fence length	95 - 3220 mm (3.7" - 126.7")
Standard Sliding-table length	3,0 m (9' 8")
Optional	1,9 / 3,3 / 3,7 / 4,3 / 5,1 m (6' 3" / 10' 10" / 12' 7" / 14' 2" / 16' 7")
Controller	Power-PC
Control panel T65	QVGA color screen with separate key pad (27 keys); TFT 3.5" (89 mm)
Cutting angle/height	controlled
Cutting width	to a scale with fine adjustment ; optionally controlled

The T65



A = cutting width [mm]	F = passage width [mm]	Sliding-table length L [mm]	Format cut [mm]
850 (33.5")	990 (38.9")	1.900 (74.8")	1.900 x 1.900 (74.8") x (74.8")
1.100 (43.3")	990 (38.9")	3.000 (118")	3.000 x 3.000 (118") x (118")
1.350 (53.1")	990 (38.9")	3.300 (130")	3.300 x 3.300 (130") x (130")
1.600 (63")	990 (38.9")	3.700 (145.7")	3.310 x 3.700 (130.3") x (145.7")
		4.300 (169.3")	3.310 x 3.700 (130.3") x (145.7")

Movement range C [mm]	Movement range D [mm]
2.500 (98.4")	2.400 (94.5")
3.600 (141.7")	3.500 (137.8")
3.900 (153.5")	3.800 (149.6")
4.300 (169.3")	4.200 (165.3")
4.900 (192.3")	4.800 (189")

Dust port – machine frame	Ø 120 mm (4.7")
Dust port – blade guard	Ø 100 mm (3.9")
Weight	approx. 1.600 - 2.200 kg (3.527 - 4.850 lbs)

Dimensions and technical data are subject to technical innovation and may be changed without notice. Illustrations can deviate from the original.

Low dust emission pursuant to BGI 739-1, Annex 1. Please refer to the latest price list for current details about the machine specifications and equipment.

All dimensions are in millimeters / inches.
Manufactured in Germany

Noise emission pursuant to EN ISO 11 202:
Workplace emission
Idling: 77.0 dB(A),
In operation: 82.8 dB(A)

MARTIN

Otto Martin Maschinenbau GmbH & Co. KG
Langenberger Str. 6
87724 Ottobeuren / Germany

Consultancy and sales:
Phone +49 (0) 8332 911 - 111
sales@martin.info

Technical support:
Phone +49 (0) 8332 911 - 222
service@martin.info

Fax +49 (0) 8332 911 - 180
www.martin.info

